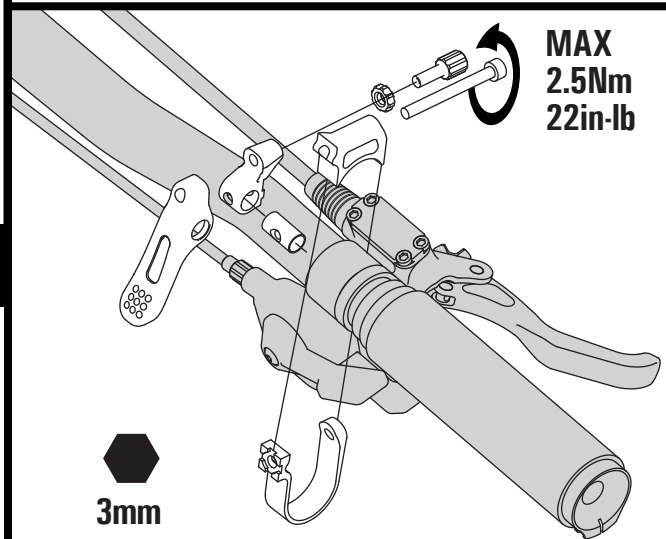




1. The ThumbB assembled flat for shipping, and must be disassembled prior to installation. Disassemble the Bar Clamp Ring from the ThumbB Perch by removing the ThumbB Clamp Screw (M4 cap screw). Remove the Clamp Mount.
2. Slip the Clamp Mount over your handle bar.
3. Slip the Lever Bracket into the Clamp Mount.
4. Install the ThumbB and ThumbB Perch onto the Bar Clamp Ring using the ThumbB Clamp Screw (M4 cap screw).
5. Rotate the ThumbB Remote to your desired orientation and torque the ThumbB Clamp Screw to **maximum of 2.5 Nm (22 in-lb)**

ThumbB Remote

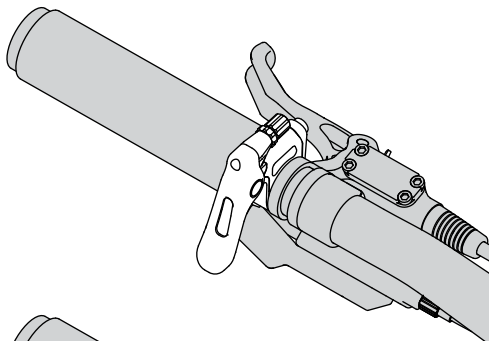


Installation Instructions

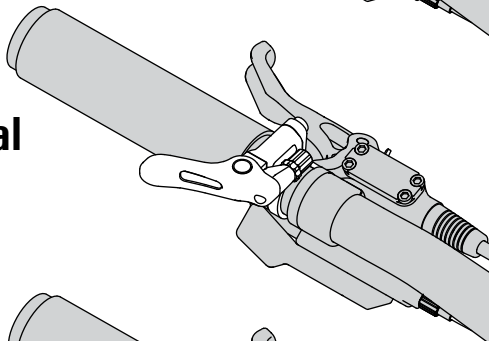
Installing your 9point8™ ThumbB on your Handlebar:

The 9point8 ThumbB Lever can be mounted on the left or right side of your handlebars in three different orientations depending on your brakes and shifting set up. There is **NO NEED** to remove the shifter/brakes/grips to install the ThumbB. The 1X configuration can only be mounted under the Left Hand Side grip.

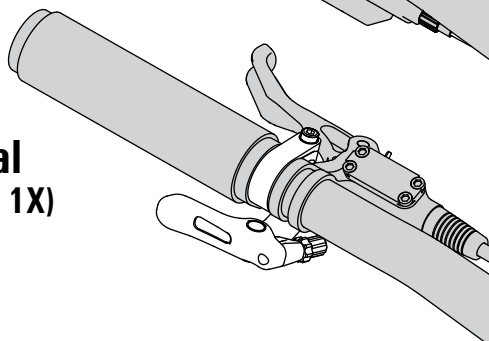
1: Vertical



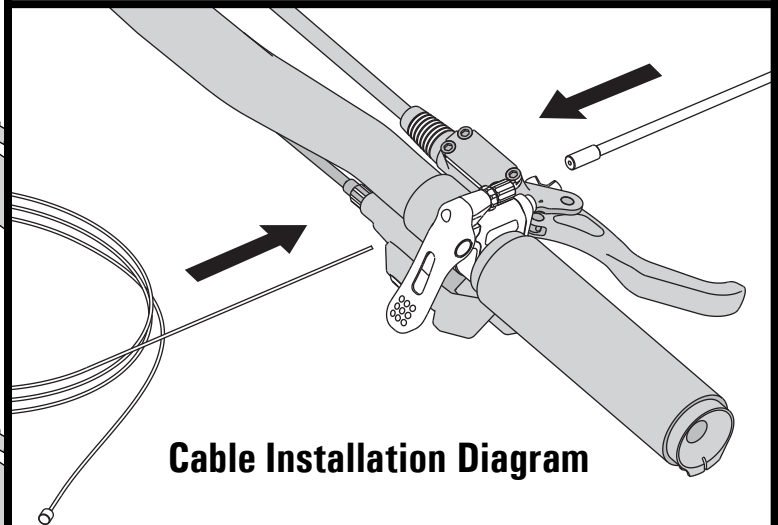
2: Horizontal (above bar)



3: Horizontal (below bar / 1X)



6. Follow the provided instructions for your specific 9point8™ Seatpost to complete installation.

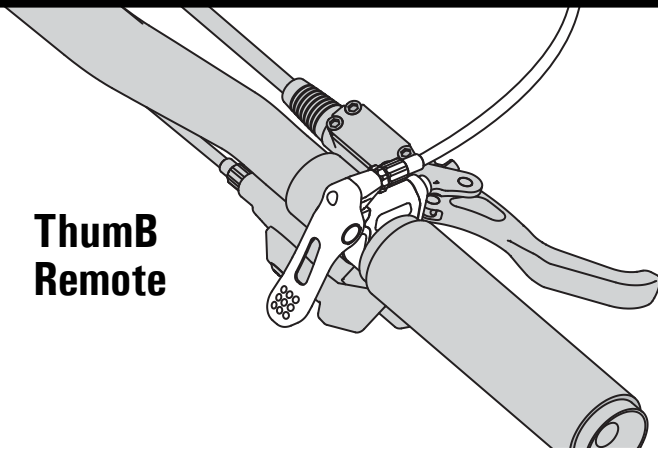


Cable Installation Diagram

See the diagrams on the next page for configuring 1X arrangement

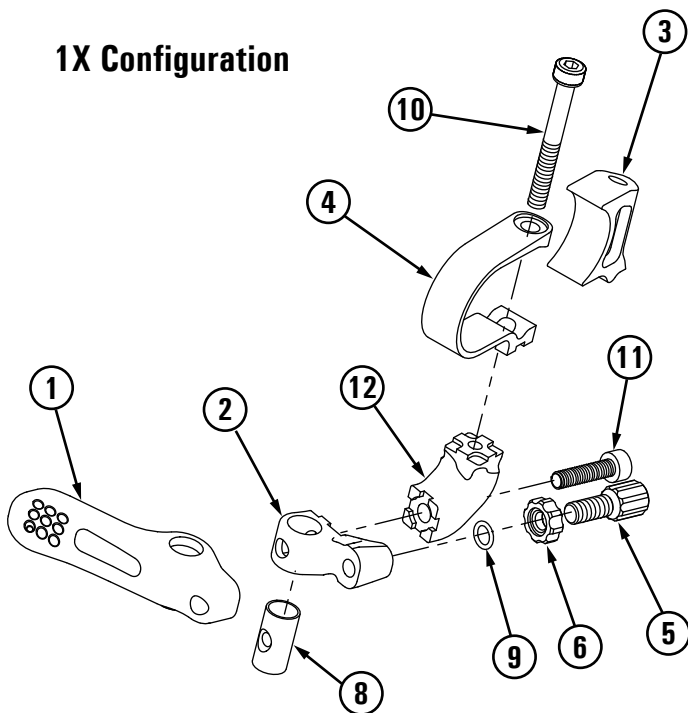
ITEM	QTY	PART NO.	DESCRIPTION
1	1	0000-0345	THUMB LEVER
2	1	0000-0346	THUMB LEVER PERCH
3	1	0000-0234	CLAMP MOUNT
4	1	0000-0233	BAR CLAMP RING
5	1	0000-0238	BARREL ADJUSTER
6	1	0000-0426	BARREL ADJUSTER NUT
7	1	0000-0347	THUMB CLAMP SCREW (M4x40)
8	1	0000-0332	THREADED CYLINDER
9	1	0000-0216	BUNA ORING
10	1	0000-0124	1X BAR CLAMP SCREW (M4X35)
11	1	0000-0667	1X MOUNTING SCREW (M4X16)
12	1	0000-0652	1X ADAPTER TWISTED

ThumB Remote



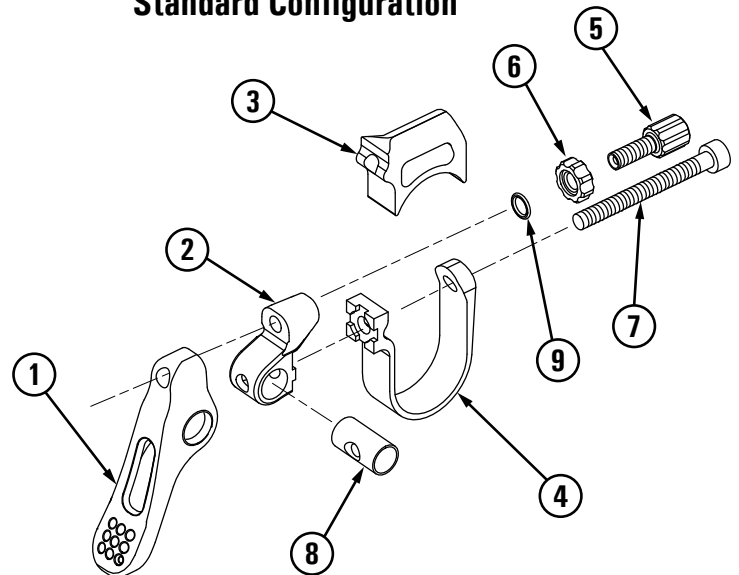
Maintenance Instructions

1X Configuration



To see all configurations, please watch this video: <https://youtu.be/QYGtSkHd6Nk>

Standard Configuration



The 9point8 ThumB requires periodic maintenance to ensure quality functional capabilities. Your ThumB should be disassembled and cleaned with soap and water when required. Allow parts to dry before re-installing on your bike.