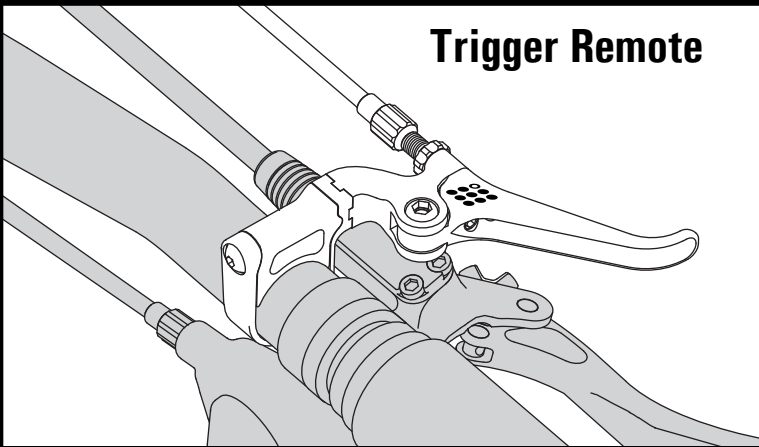




Trigger Remote

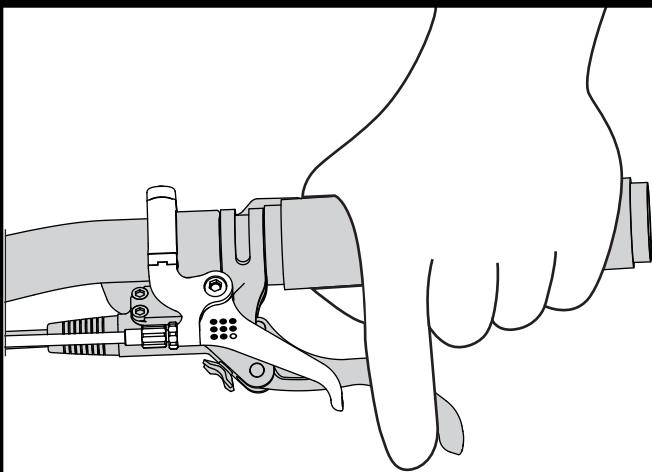


Installation Instructions

Installing your 9point8™ Trigger on your Handlebar:

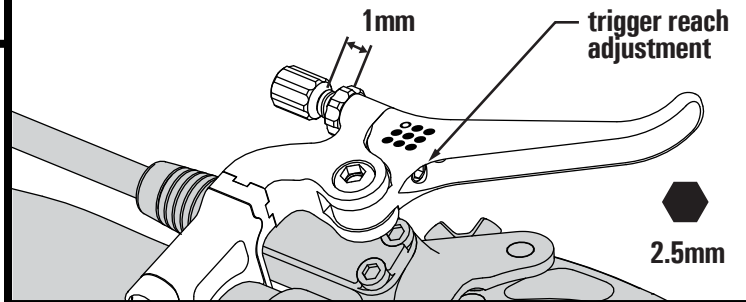
The 9point8™ Trigger can be mounted on the left or right side of your handlebars. There is **NO NEED** to remove the shifter/brakes/grips to install the Trigger.

Note: The recommended position for the Trigger is just above your brake lever in a position for a comfortable reach with the tip of your index finger.

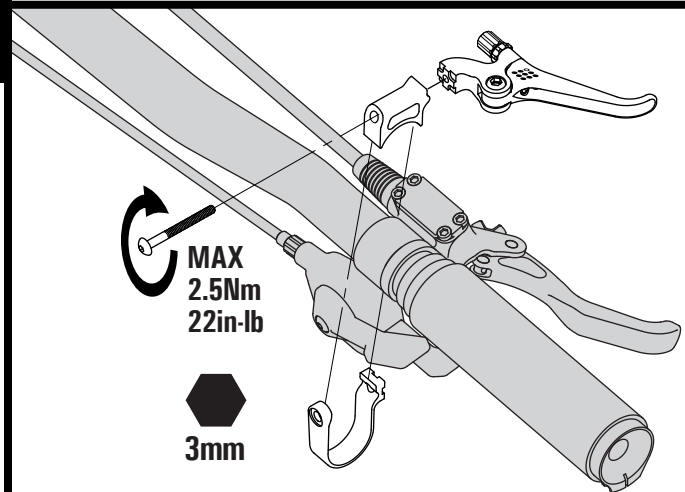


1. The Trigger assembly is assembled flat for shipping, and must be disassembled prior to installation. Disassemble the Trigger Bar Clamp Ring from the Trigger Perch by removing the Trigger Clamp Screw (M4 cap screw). Remove the Clamp Mount.
2. Slip the Trigger Bar Clamp Ring over your handlebar.
3. Slip the Clamp Mount into the Trigger Bar Clamp Ring.
4. Install the Trigger and Perch onto the Trigger Bar Clamp Ring using the Trigger Clamp Screw.

5. Adjust the position of the Trigger to suit your personal preference. Trigger reach can be adjusted with a 2.5mm Allen (hex).

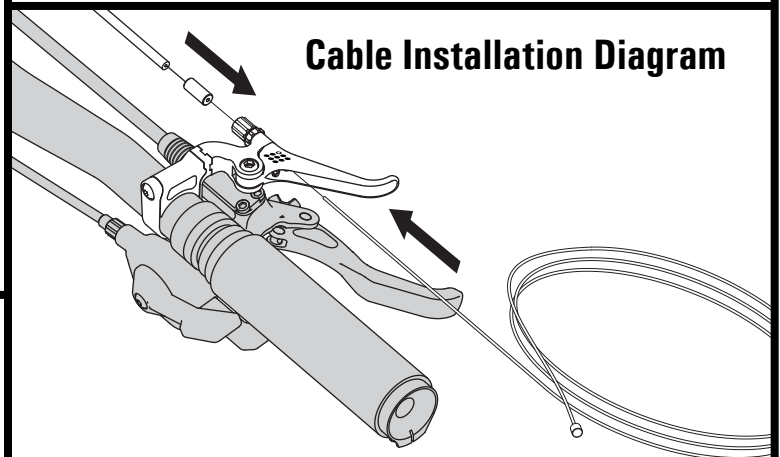


6. Torque the Trigger Clamp Screw to a **maximum of 2.5 Nm (22 in-lb)** or as recommended by your handlebar manufacturer.

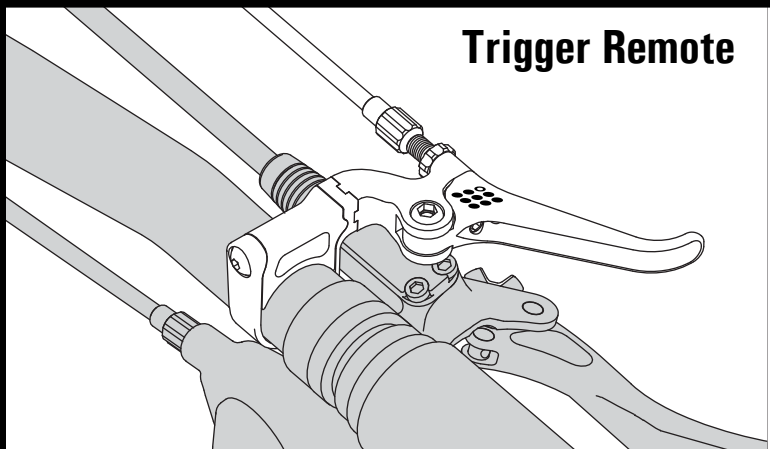


7. Follow the provided instructions for your specific 9point8™ Seatpost to complete installation.

Cable Installation Diagram



Trigger Remote

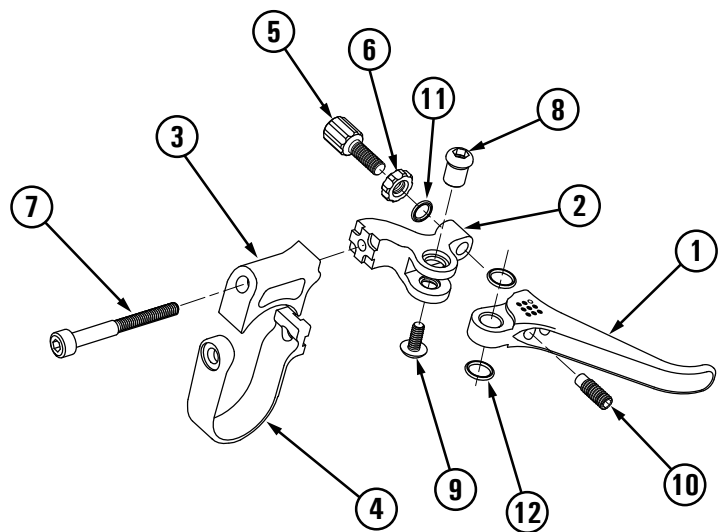


Maintenance Instructions

9point8 Triggers require periodic maintenance to ensure quality functional capabilities. Your Trigger should be disassembled and cleaned with soap and water when required. Allow parts to dry before re-installing on your bike. When assembling, apply grease to the Pivot. The recommended grease is Pulse Grease.

Note: To remove and install the Trigger to the Perch you will need a 3mm and 2.5mm allen key.

Parts List



ITEM	QTY	PART NO.	DESCRIPTION
1	1	0000-0236	TRIGGER
2	1	0000-0235	TRIGGER PERCH
3	1	0000-0234	CLAMP MOUNT
4	1	0000-0233	BAR CLAMP RING
5	1	0000-0238	BARREL ADJUSTER
6	1	0000-0426	BARREL ADJUSTER NUT
7	1	0000-0124	TRIGGER CLAMP SCREW
8	1	0000-0487	PIVOT, FEMALE
9	1	0000-0426	PIVOT SCREW, MALE
10	1	0000-0248	REACH ADJUST SCREW
11	1	0000-0216	BUNA O-RING
12	2	0000-0327	SILICONE O-RING