

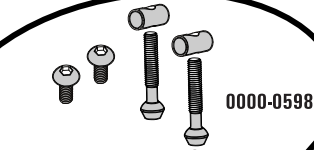
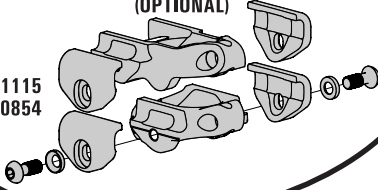
FALL LINE

Parts List

ITEM	QTY	PART NO.	DESCRIPTION
1	1	--	INLINE HEAD (7mm ROUND RAILS)
2	2	0000-1364	HEAD HARDWARE SET (7mm ROUND)
3	2	0000-0599	SEAT RAIL CLAMPS (7mm ROUND)
4	1	0000-0264	VALVE CAP
5	1	0000-0504	QUICK CONNECTOR ASSY
6	1	--	QUICK CONNECT BODY
7	1	--	CABLE SEAL NUT
8	1	--	T-NUT (HOUSING CLAMP)
9	2	--	WIRE CABLE CLAMP SET-SCREW
10	1	--	O-RING

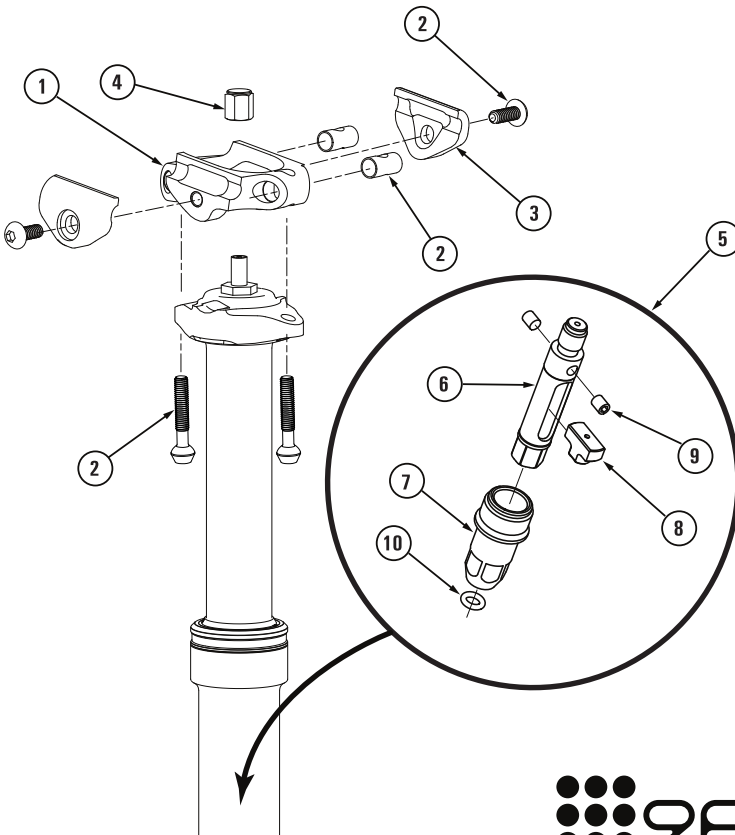
⚠ CR Head
7mm ROUND RAILS and
OVAL and CARBON RAILS
(OPTIONAL)

0000-1115
0000-0854



0000-0598

⚠ Ti Head Hardware Set
7mm ROUND RAILS ONLY
(OPTIONAL)



See reverse
for Fall Line R



PARTS: www.9point8.ca

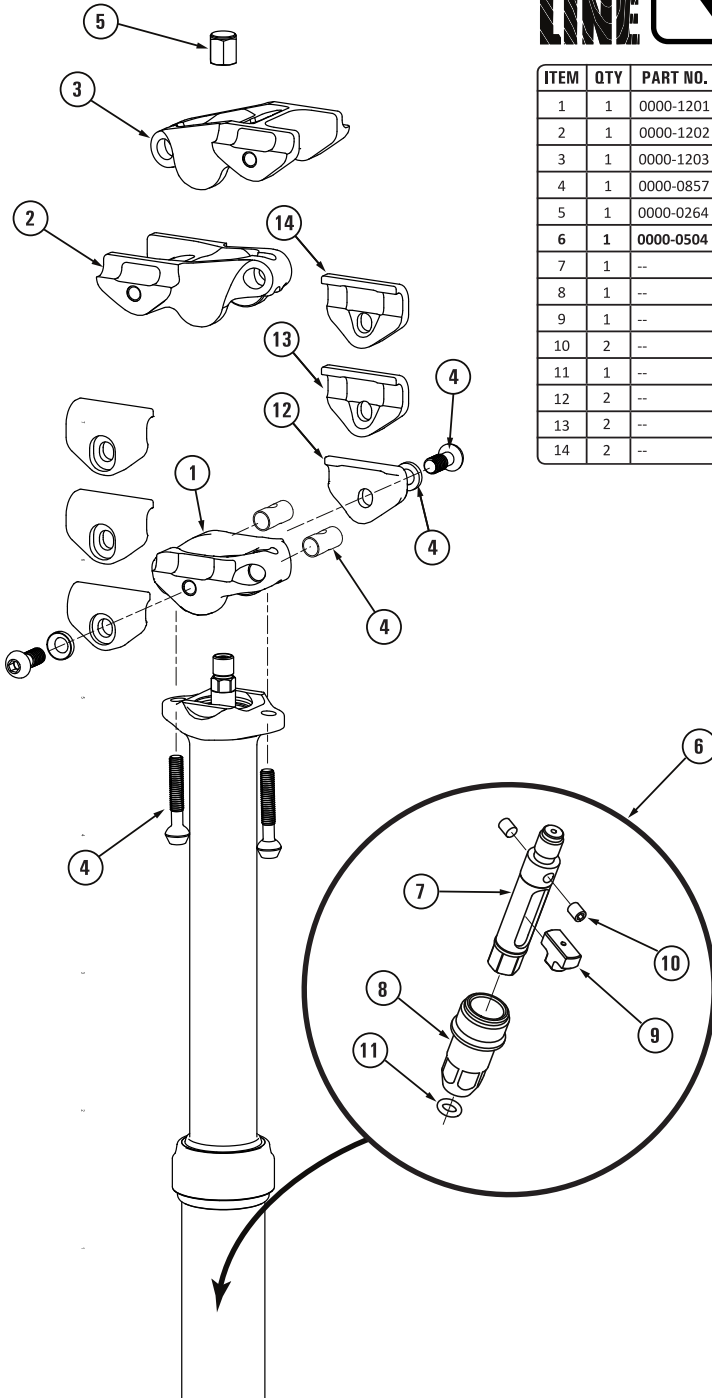
0000-0640-R4
please recycle

FALL LINE



Parts List

ITEM	QTY	PART NO.	DESCRIPTION
1	1	0000-1201	INLINE HEAD (Fall Line R)
2	1	0000-1202	OFFSET HEAD (Fall Line R)
3	1	0000-1203	FOREHEAD (Fall Line R)
4	1	0000-0857	TI HEAD HARDWARE SET (Fall Line R)
5	1	0000-0264	VALVE CAP
6	1	0000-0504	QUICK CONNECTOR ASSY
7	1	--	QUICK CONNECT BODY
8	1	--	CABLE SEAL NUT
9	1	--	T-NUT (HOUSING CLAMP)
10	2	--	WIRE CABLE CLAMP SET-SCREW
11	1	--	O-RING
12	2	--	SEAT RAIL PLATE 7mm ROUND
13	2	--	SEAT RAIL PLATE OVAL 8-9mm
14	2	--	SEAT RAIL PLATE OVAL 9-10mm



See reverse
for Fall Line

